



US00D632711S

(12) **United States Design Patent**  
**Faraj**

(10) **Patent No.:** **US D632,711 S**

(45) **Date of Patent:** **\*\* Feb. 15, 2011**

(54) **BEAD ATTACHMENT MACHINE**  
(76) Inventor: **Zaher Faraj**, 703 Stewart St.,  
Ridgefield, NJ (US) 07657

(\*\*) Term: **14 Years**

(21) Appl. No.: **29/345,183**

(22) Filed: **Oct. 12, 2009**

(51) **LOC (9) Cl.** ..... **15-09**  
(52) **U.S. Cl.** ..... **D15/128**  
(58) **Field of Classification Search** ..... D15/128,  
D15/199; D18/15; 12/49; 29/454; 53/334,  
53/338, 339, 340, 351, 353; 65/154, 155;  
72/84, 105, 106, 107, 110, 383; 413/27;  
445/66

See application file for complete search history.

(56) **References Cited**

**U.S. PATENT DOCUMENTS**

D13,292 S *	9/1882	Lipman	.....	D15/128
1,690,191 A *	11/1928	Erickson	.....	12/49
1,773,854 A *	8/1930	Peters	.....	413/27
D114,149 S *	4/1939	Jackson et al.	.....	D18/15
D155,154 S *	9/1949	Halvorsen	.....	D15/128
2,491,119 A *	12/1949	Lewis	.....	29/243.517
3,062,263 A *	11/1962	Austing et al.	.....	72/94
3,527,588 A *	9/1970	Aiken et al.	.....	65/154
3,648,503 A *	3/1972	Harper	.....	72/84
3,724,250 A *	4/1973	Molino	.....	72/171
D228,682 S *	10/1973	Gramling	.....	D15/128

3,771,285 A *	11/1973	Bertario	.....	53/334
D231,862 S *	6/1974	Gramling	.....	D15/128
D233,911 S *	12/1974	Marsh	.....	D15/123
D239,320 S *	3/1976	Doyel	.....	D15/123
D273,121 S *	3/1984	Rawson	.....	D18/15
D480,103 S *	9/2003	Stefanski et al.	.....	D18/15
2002/0062673 A1 *	5/2002	Krehle	.....	72/179

\* cited by examiner

*Primary Examiner*—Patricia Palasik

(74) *Attorney, Agent, or Firm*—Furr Law Firm; Jeffrey M. Furr, Esq.

(57) **CLAIM**

The ornamental design for a bead attachment machine, as shown.

**DESCRIPTION**

FIG. 1 is a left side view of the bead attachment machine showing my new design;

FIG. 2 is a back view thereof;

FIG. 3 is a front view thereof;

FIG. 4 is a right side view thereof;

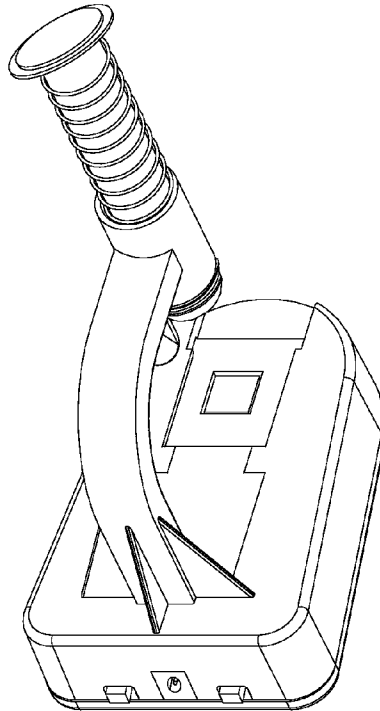
FIG. 5 is a top view thereof;

FIG. 6 is a bottom view thereof; and,

FIG. 7 is a back perspective view thereof in an alternate position where the spring is not compressed.

Features in broken lines are not claimed.

**1 Claim, 7 Drawing Sheets**



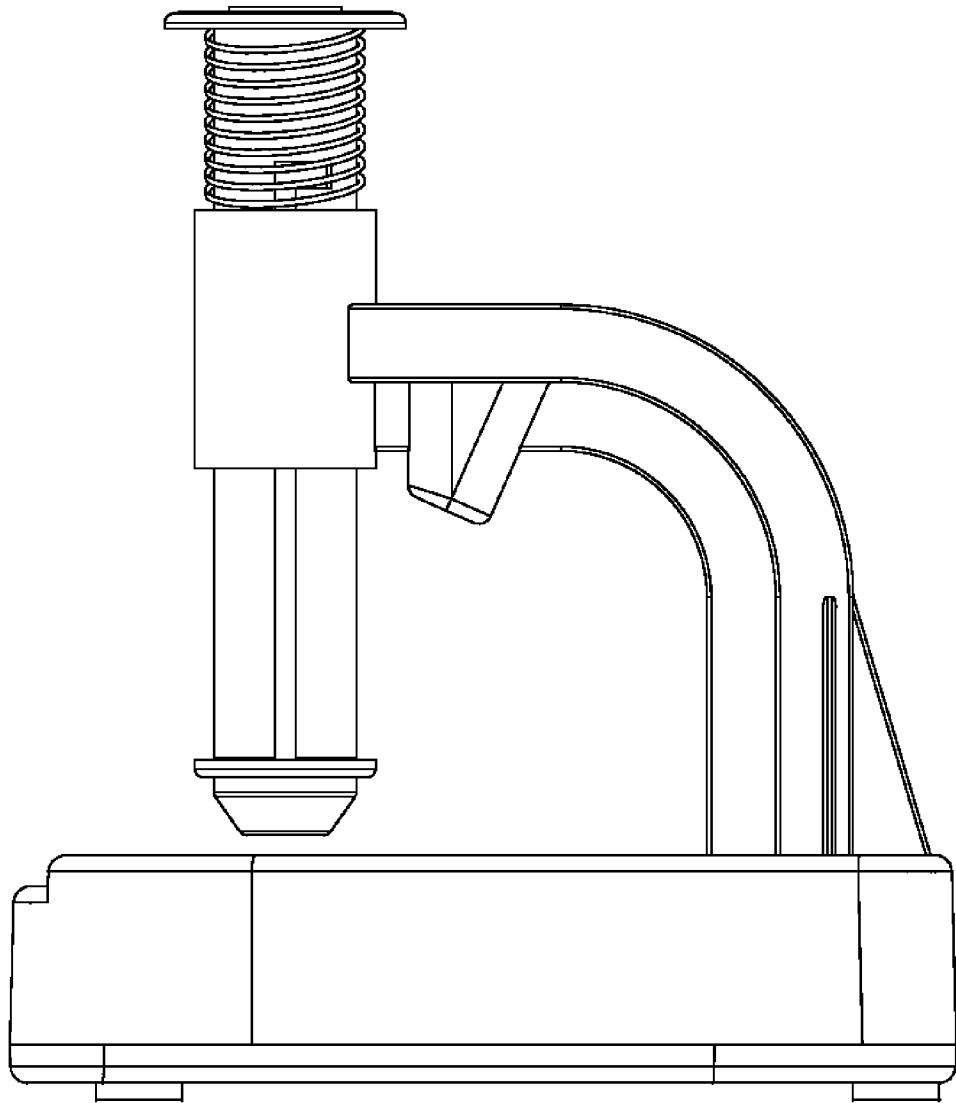


Figure 1

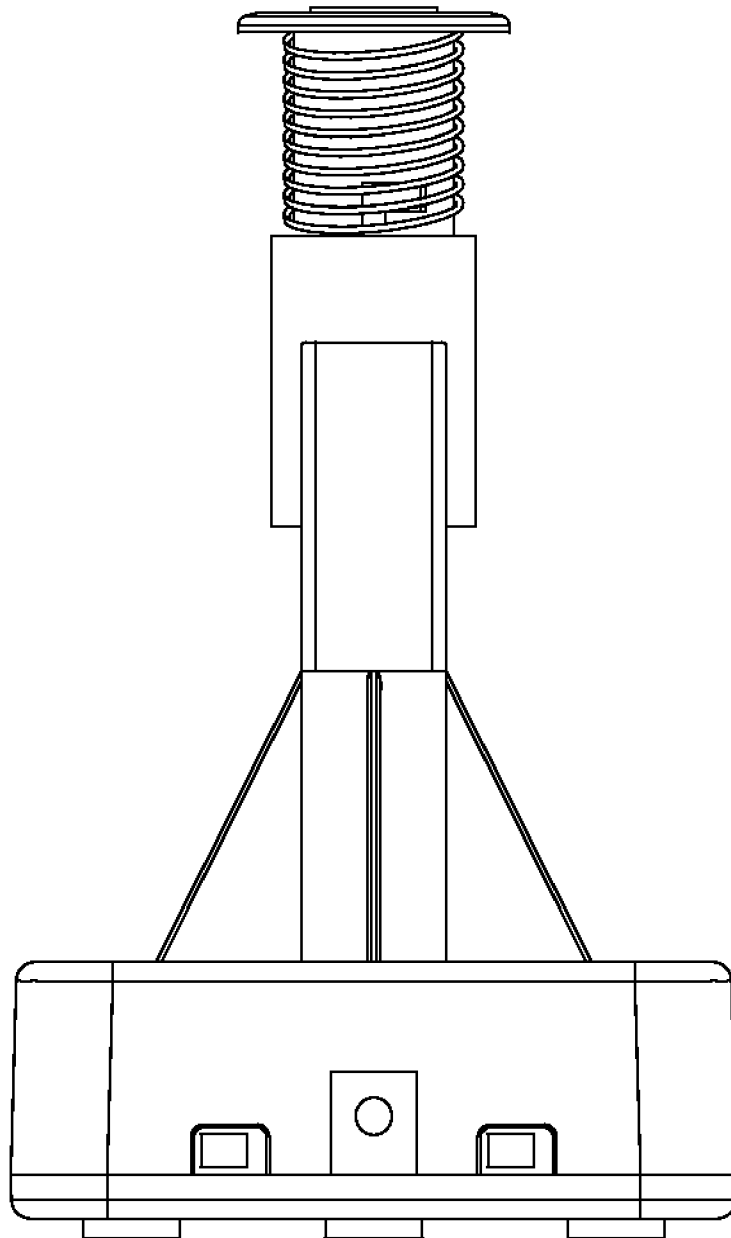


Figure 2

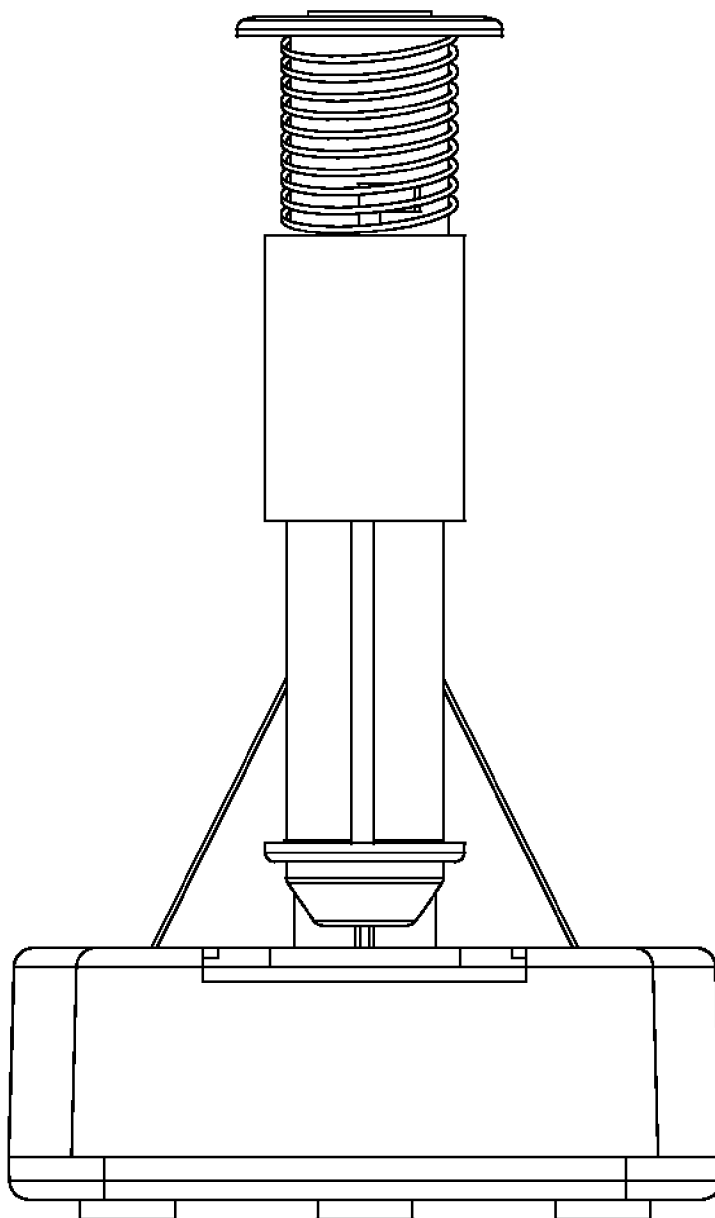


Figure 3

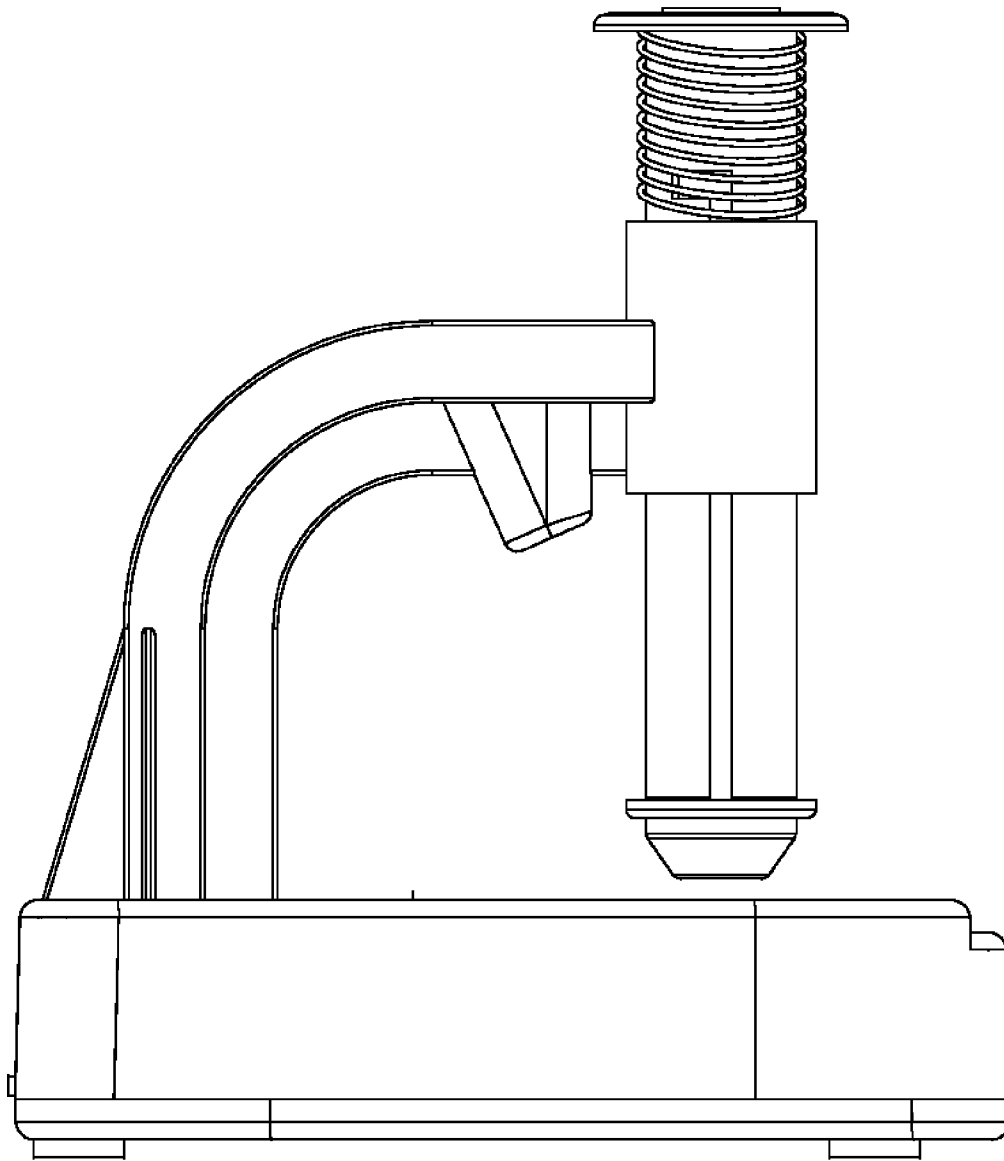


Figure 4

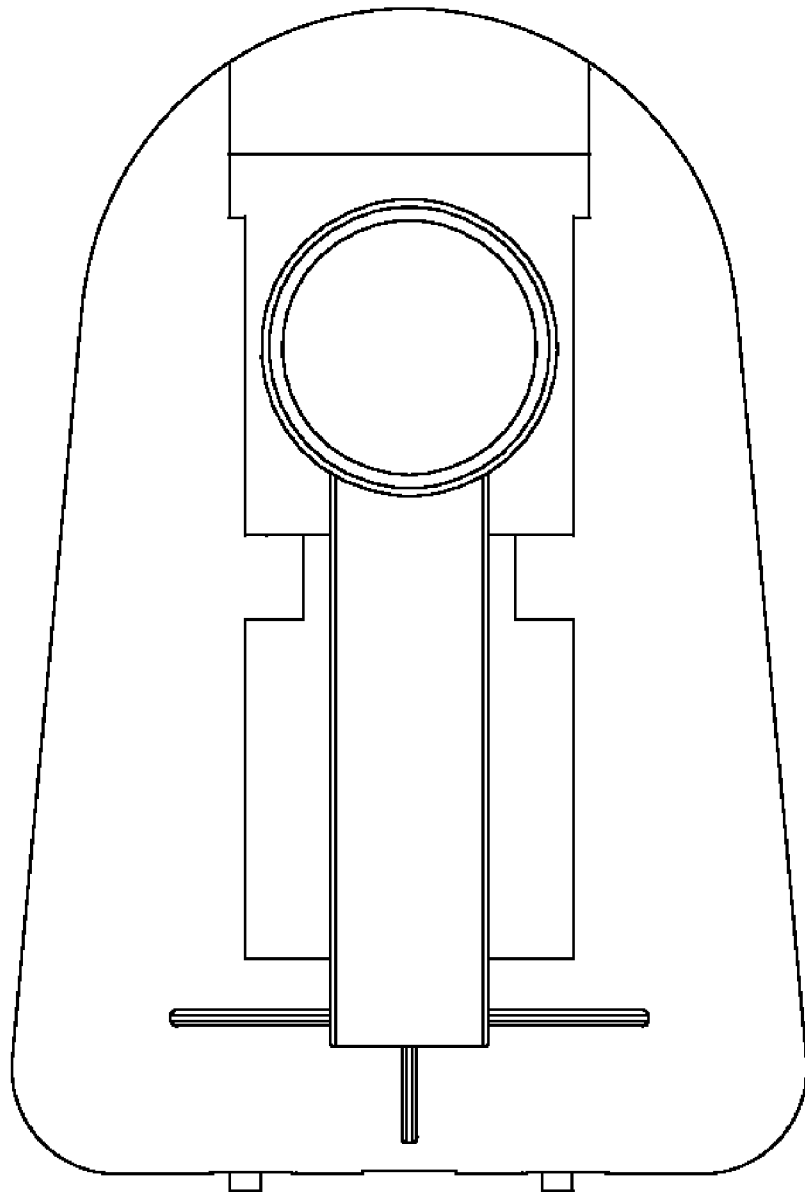
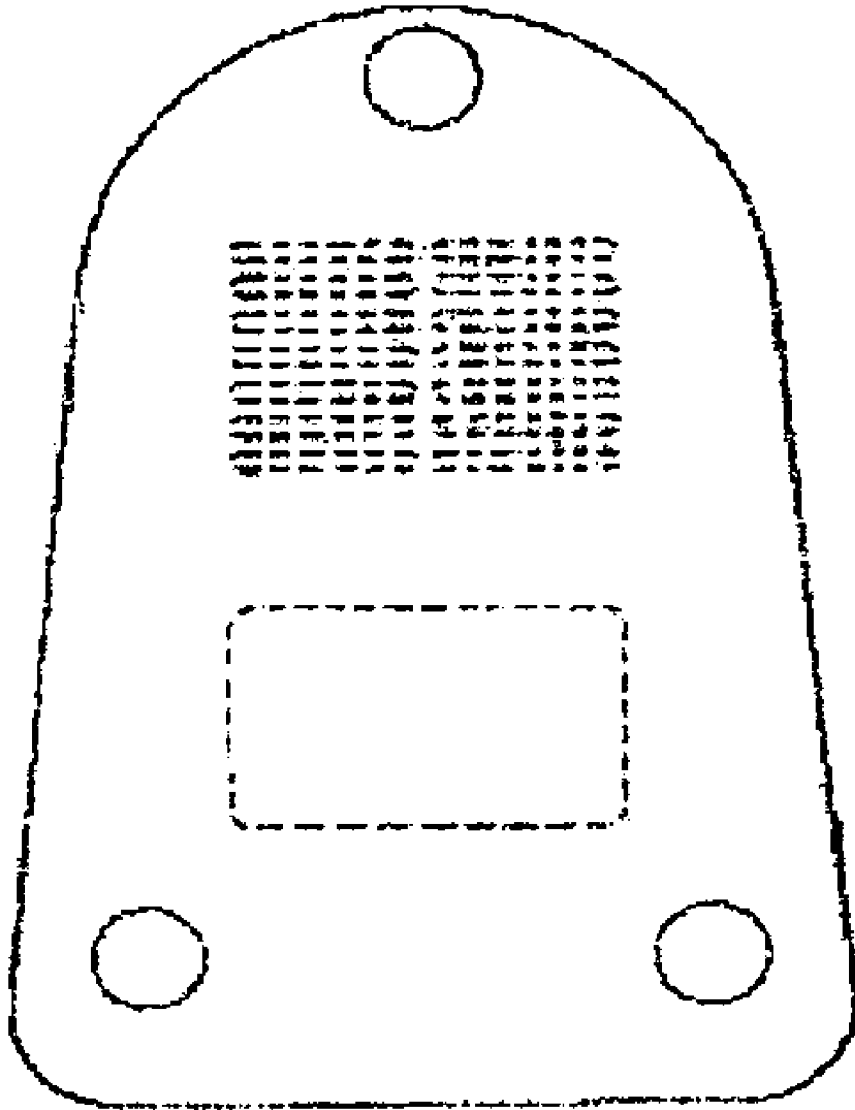


Figure 5



**Figure 6**

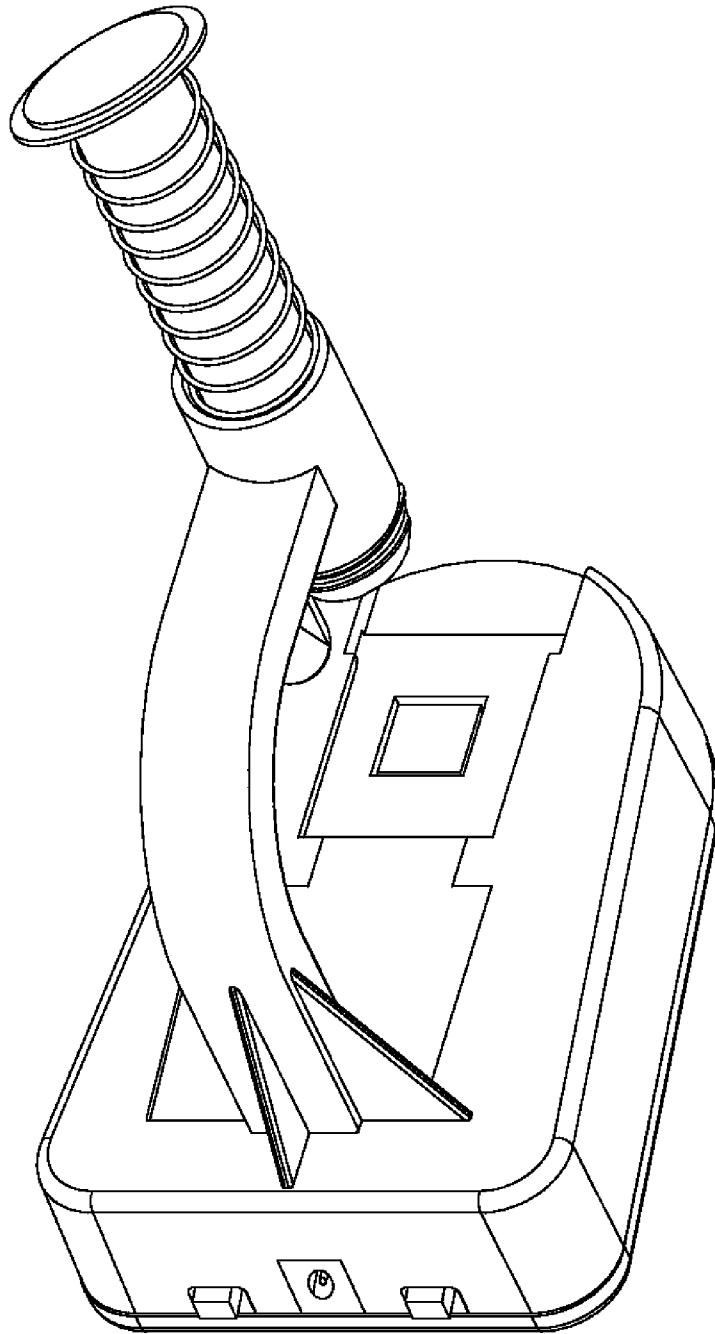


Figure 7