



US00D489851S1

(12) **United States Design Patent**
Jones et al.

(10) **Patent No.:** **US D489,851 S**

(45) **Date of Patent:** **** May 11, 2004**

(54) **SCRAPER**

(76) Inventors: **Gordon Sinclair Jones**, 215 N. Harvard St., Allston, MA (US) 02134;
John Darrin Fiegenger, 24 Jersey, Marblehead, MA (US) 01945; **Jason Morris**, 288 Main St., Apt. #305, Melrose, MA (US) 02176

(**) Term: **14 Years**

(21) Appl. No.: **29/172,211**

(22) Filed: **Dec. 6, 2002**

(51) **LOC (7) Cl.** **08-05**

(52) **U.S. Cl.** **D32/48**

(58) **Field of Search** D32/40, 46, 48, D32/49; D8/98, 99; 7/105, 167; 15/236.01, 236.02, 236.08; 30/162, 169, 335, 344

(56) **References Cited**

U.S. PATENT DOCUMENTS

2,601,723 A * 7/1952 Keller 30/162

3,855,700 A * 12/1974 Gerson et al. 30/162
4,202,093 A * 5/1980 Wallerstein 30/169
D282,881 S * 3/1986 Gringer D32/48
D389,966 S * 1/1998 Melodia et al. D32/46
D467,395 S * 12/2002 McCool D32/48

* cited by examiner

Primary Examiner—Alan P. Douglas
Assistant Examiner—Lavone D. Tabor
(74) *Attorney, Agent, or Firm*—Jeffrey Furr

(57) **CLAIM**

The ornamental design for a scraper, as shown.

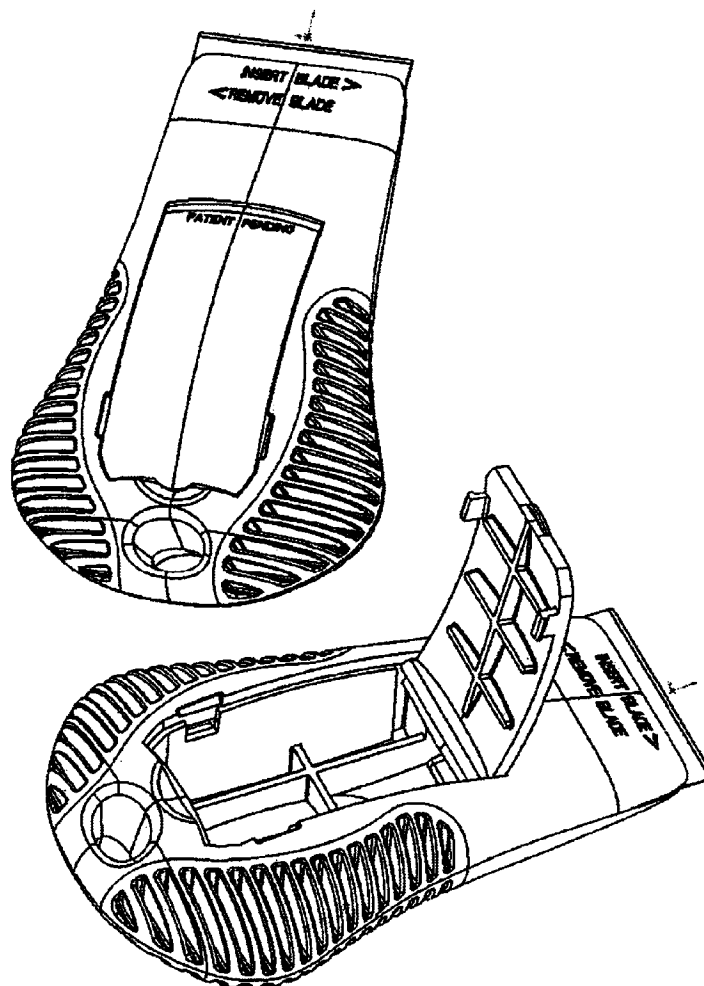
DESCRIPTION

FIG. 1 is a bottom perspective view of a scraper showing our new design;

FIG. 2 is bottom perspective view of FIG. 1 with the compartment door shown open; and,

FIG. 3 is a side perspective view of FIG. 2.

1 Claim, 3 Drawing Sheets



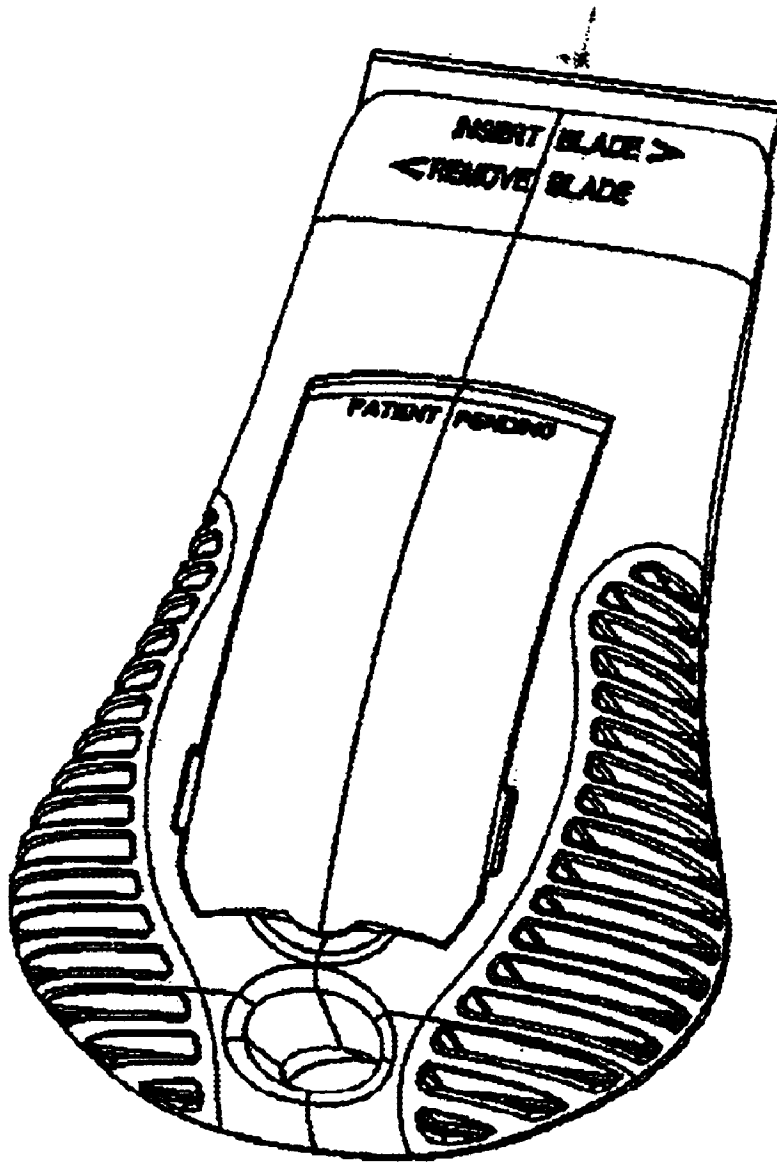


Fig. 1

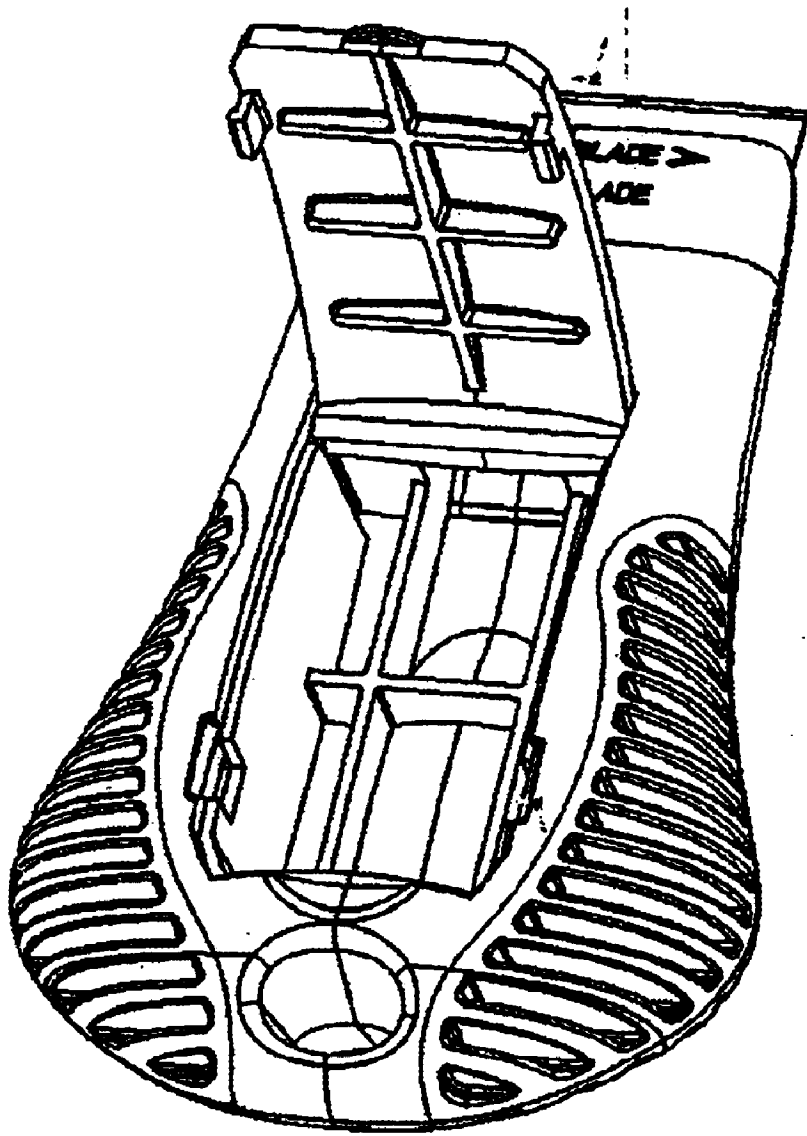


Fig. 2

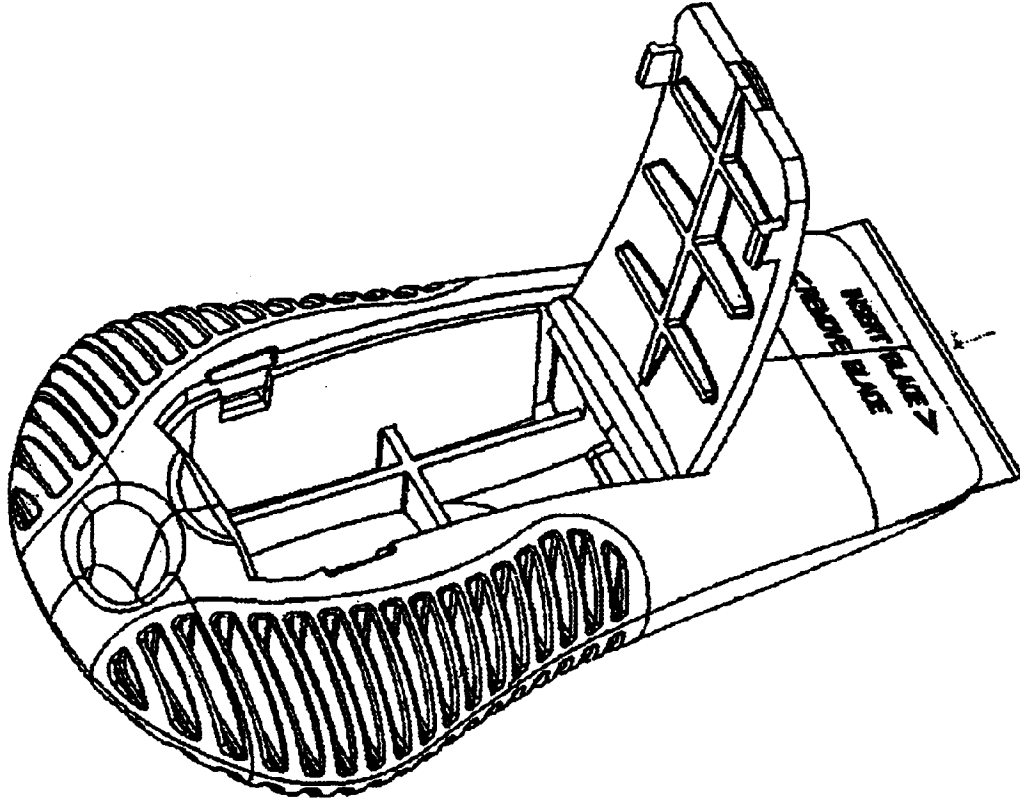


Fig. 3