



US00D534752S

(12) **United States Design Patent**
Rizvi

(10) **Patent No.:** **US D534,752 S**

(45) **Date of Patent:** **** Jan. 9, 2007**

(54) **SHOWER TRAY**

(76) Inventor: **Syed Rizvi**, 9530 Hageman Rd., Suite B 210, Bakersfield, CA (US) 93312

(**) Term: **14 Years**

(21) Appl. No.: **29/204,495**

(22) Filed: **Apr. 30, 2004**

(51) **LOC (8) Cl.** **23-02**

(52) **U.S. Cl.** **D6/525**

(58) **Field of Classification Search** D6/562,
D6/553, 555, 567, 574, 525; 108/28, 147.11;
211/13.1, 87.01, 88.01, 90.01, 119.003, 126.1,
211/134

See application file for complete search history.

(56) **References Cited**

U.S. PATENT DOCUMENTS

2,828,044 A * 3/1958 Reiss et al. 211/90.01
D382,510 S * 8/1997 Dallimore D6/562

D399,380 S * 10/1998 Kyle D6/562
D448,959 S * 10/2001 Campos D6/562
D513,142 S * 12/2005 Suero, Jr. D6/525

* cited by examiner

Primary Examiner—Brian N Vinson

(74) *Attorney, Agent, or Firm*—Jeffrey Furr

(57) **CLAIM**

The ornamental design for a shower tray, as shown and described.

DESCRIPTION

FIG. 1 is a bottom plan view of a shower tray showing my new design;

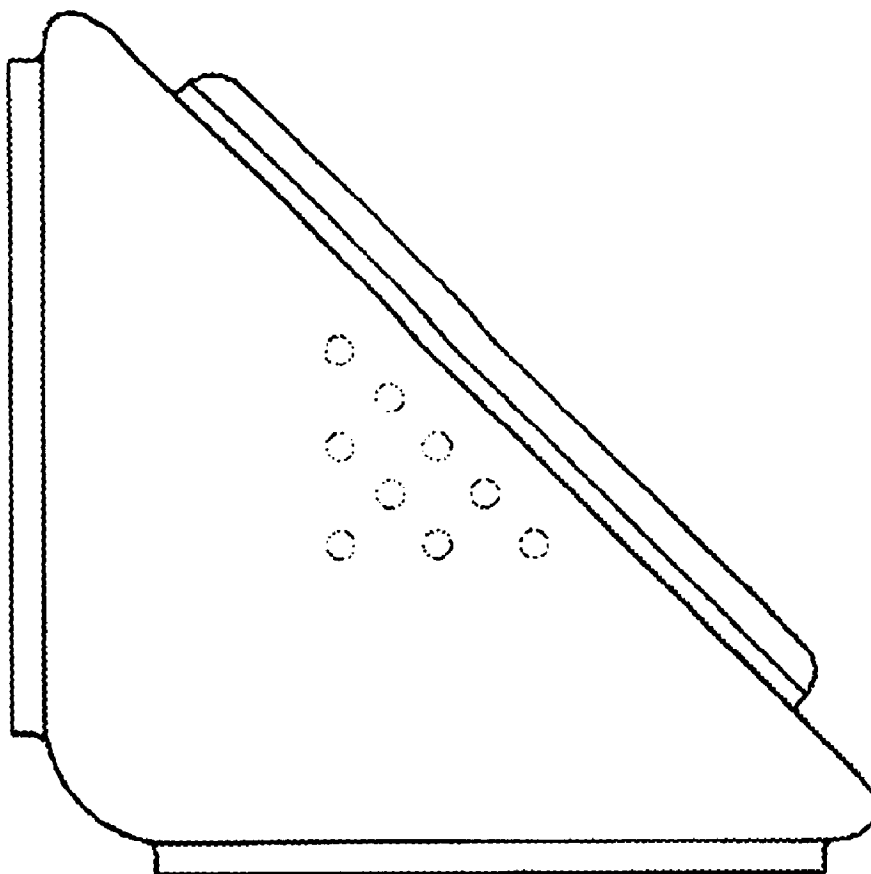
FIG. 2 is a top, rear perspective view thereof;

FIG. 3 is a bottom, front perspective view thereof; and,

FIG. 4 is a top plan view thereof.

The broken-line disclosure of the apertures in the article are understood to be for illustrative purposes only and form no part of the claimed design.

1 Claim, 4 Drawing Sheets



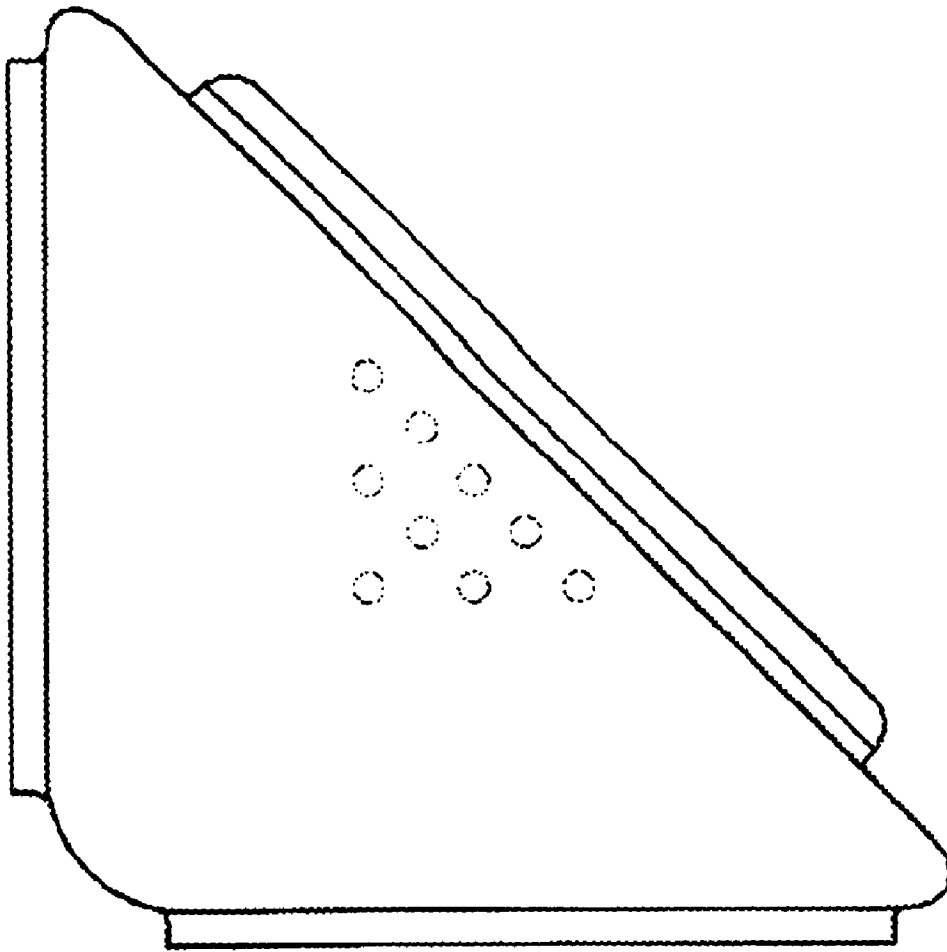


Figure 1

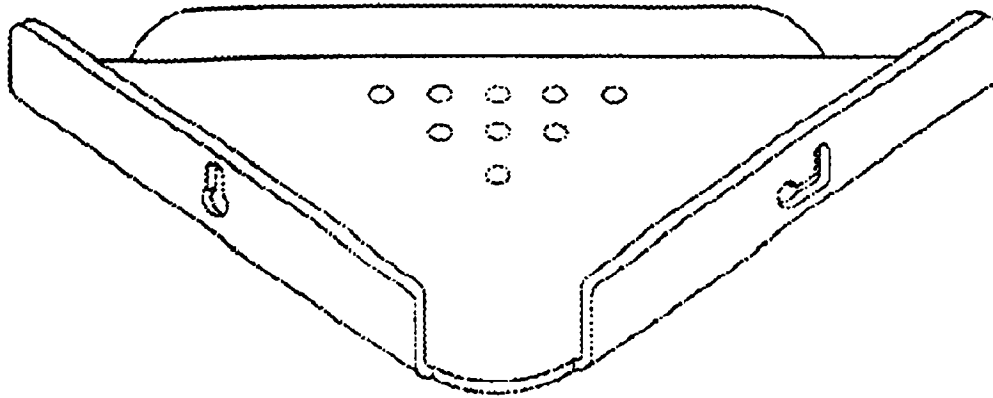


Figure 2

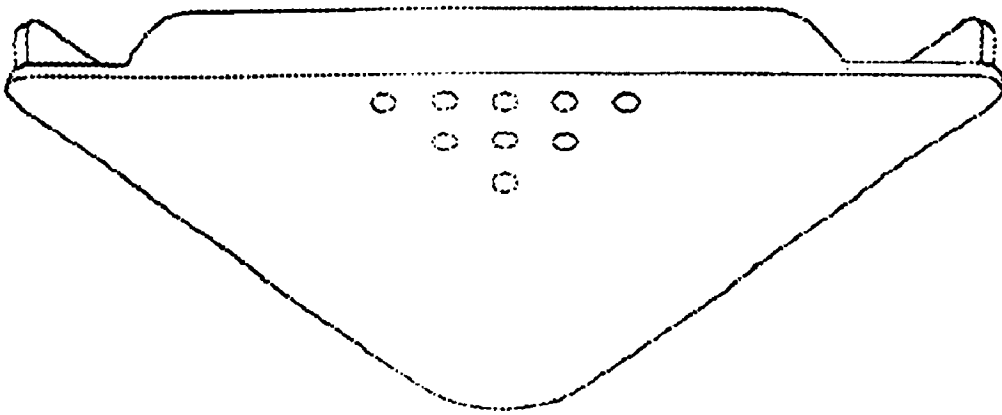


Figure 3

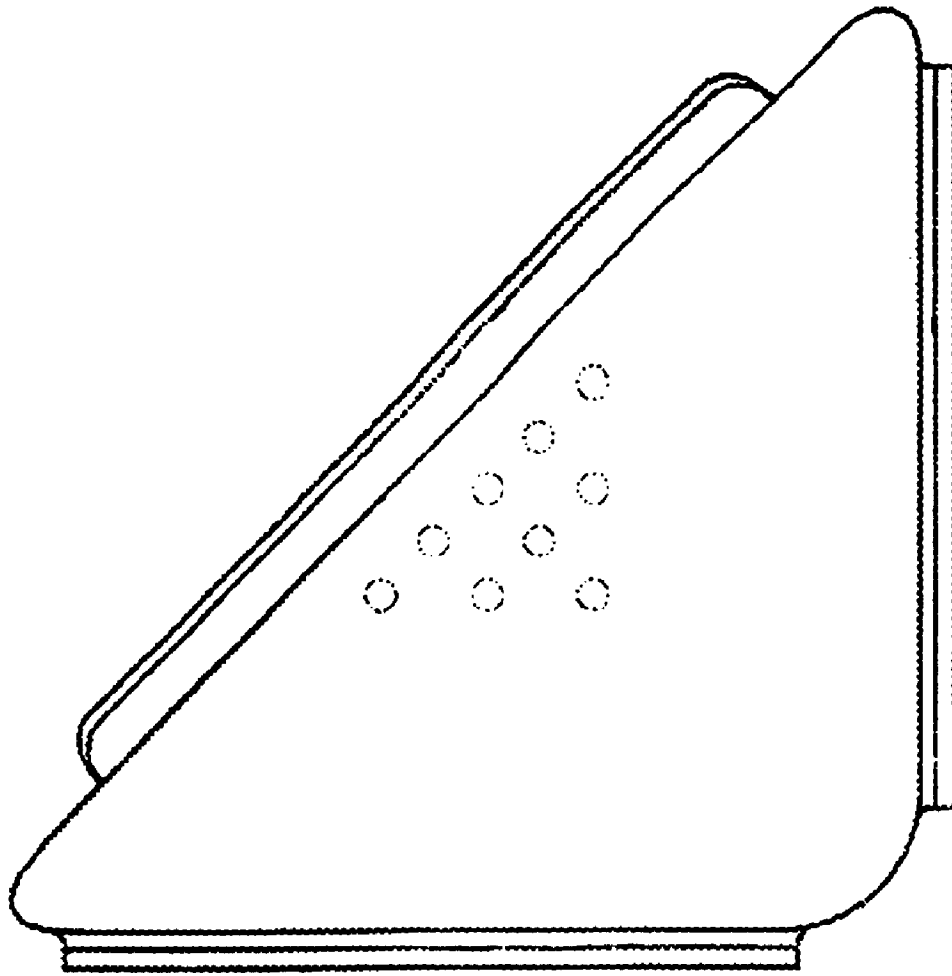


Figure 4