



US00D426342S

United States Patent [19]
Hoffbauer

[11] **Patent Number: Des. 426,342**
[45] **Date of Patent: ** Jun. 6, 2000**

[54] **GLASS SHADE FOR LIGHT FIXTURE**

OTHER PUBLICATIONS

[76] Inventor: **Bernd G Hoffbauer**, P. O. Box 101440,
44604 Herne, Germany

Taiwan Lighting, p. 299, lamp shade 190 A7, Feb. 1997.

[**] Term: **14 Years**

Primary Examiner—Susan J. Lucas

[21] Appl. No.: **29/094,830**

[57] **CLAIM**

[22] Filed: **Oct. 13, 1998**

The ornamental design for a Glass Shade For light fixture,
as shown.

[51] **LOC (7) Cl.** **26-05**

DESCRIPTION

[52] **U.S. Cl.** **D26/128**

FIG. 1 is a front elevational view of a light fixture showing
my new design;

[58] **Field of Search** D26/118, 119,
D26/128-136; 362/297, 341, 348, 361,
351, 353, 355, 356, 357, 358

FIG. 2 is a cross sectional view of the glass shade for light
fixture taken through the center of the shade;

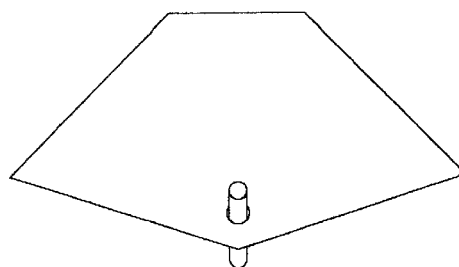
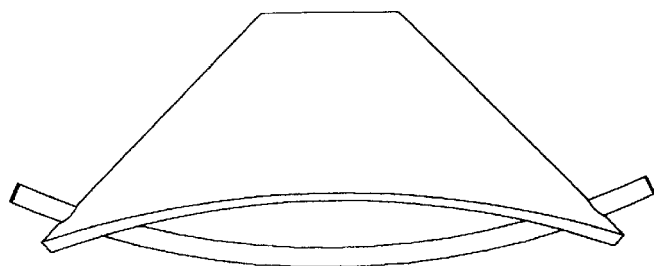
[56] **References Cited**

FIG. 3 is a side elevational view thereof; and,
FIG. 4 is top view thereof.

U.S. PATENT DOCUMENTS

D. 362,516 9/1995 Kramer D26/130

1 Claim, 2 Drawing Sheets



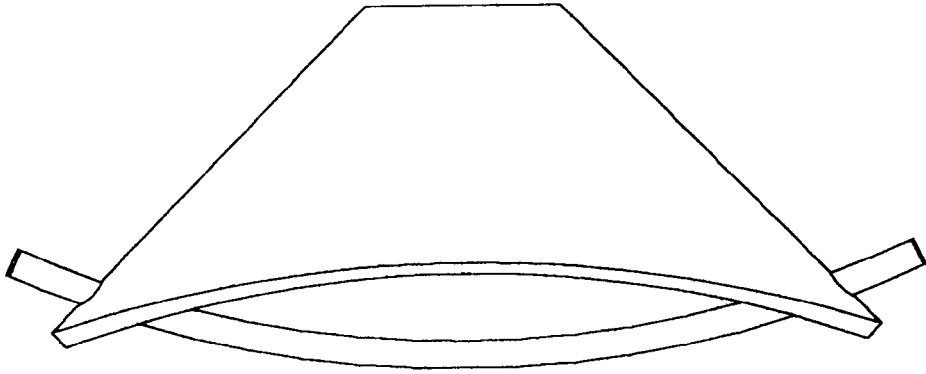


FIG. 1

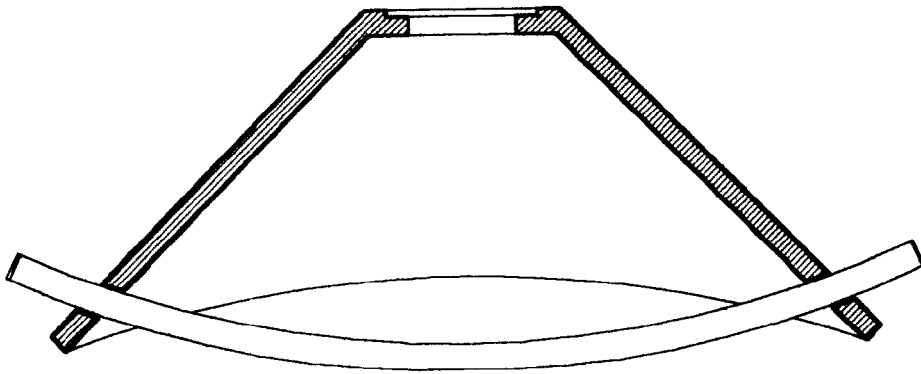


FIG. 2

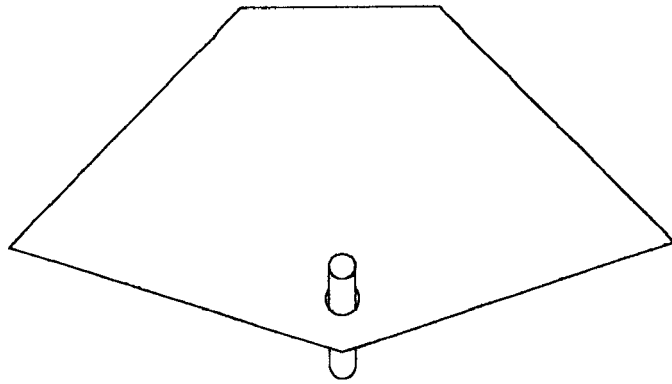


FIG. 3

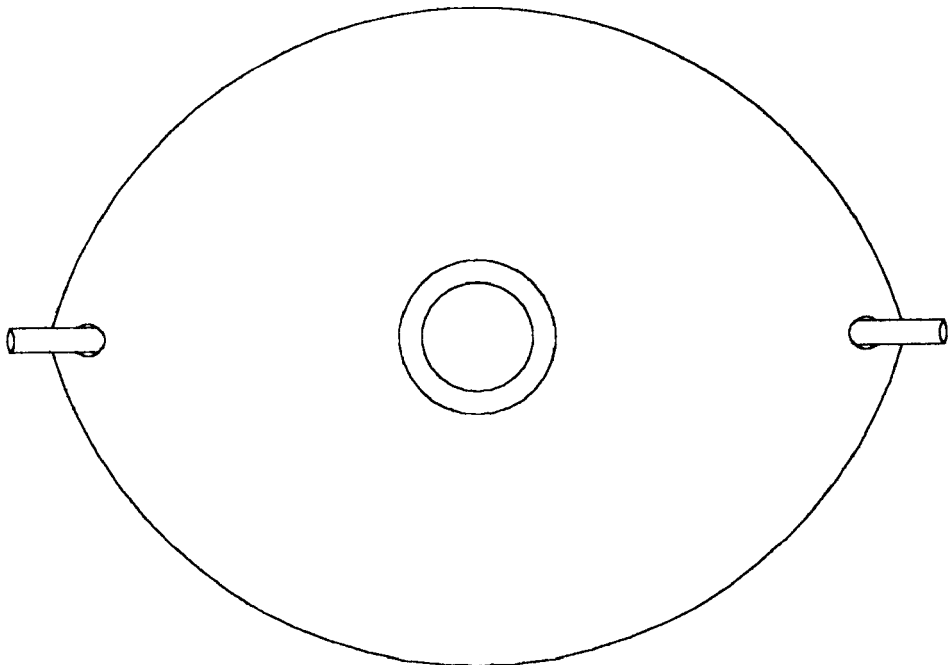


FIG. 4