



US00D456841S

(12) **United States Design Patent**  
**Bock**

(10) **Patent No.:** **US D456,841 S**

(45) **Date of Patent:** **\*\* May 7, 2002**

(54) **FOLDER**

D364,640 S \* 11/1995 Zimbelman ..... D19/27  
5,529,418 A \* 6/1996 Alotta ..... 402/73

(76) Inventor: **Richard Bock**, 675 21<sup>St</sup>. Pl., Santa  
Monica, CA (US) 90402

\* cited by examiner

(\*\*) Term: **14 Years**

*Primary Examiner*—Paula A. Mortimer  
(74) *Attorney, Agent, or Firm*—Jeffrey Furr

(21) Appl. No.: **29/139,938**

(57) **CLAIM**

(22) Filed: **Apr. 9, 2001**

The ornamental design for a folder, as shown and described.

(51) **LOC (7) Cl.** ..... **19-04**

(52) **U.S. Cl.** ..... **D19/26**

(58) **Field of Search** ..... D19/26, 27, 86,  
D19/88; D3/303, 900; 281/29, 34, 36, 31,  
15.1; 283/36; 248/451, 452; 402/80 R,  
79, 73

**DESCRIPTION**

FIG. 1 is a front elevational view of a folder showing my new design, the ends of the tabs are drawn broken away to show indeterminate length;

FIG. 2 is a closed view of the front thereof;

FIG. 3 is a closed view of the side thereof; and,

FIG. 4 is a front perspective view thereof.

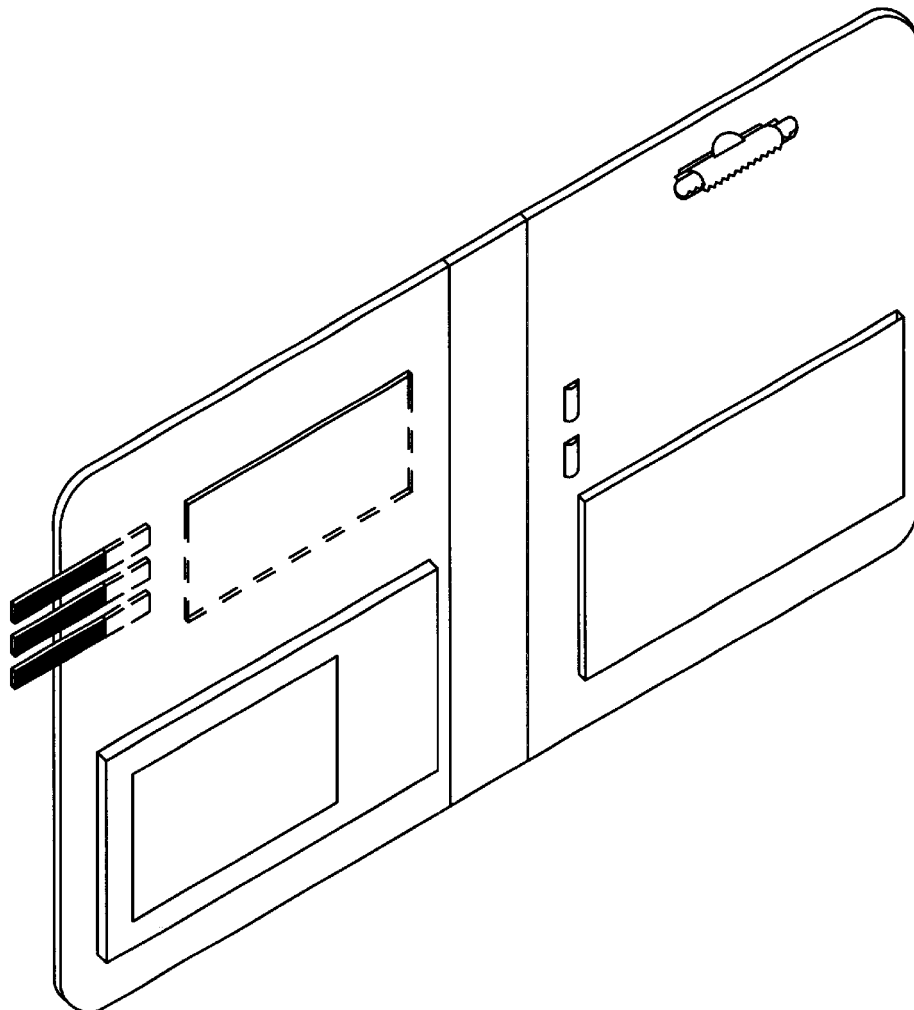
The broken line showing in FIGS. 1 and 4 is for illustrative purposes only and forms no part of the claimed design.

(56) **References Cited**

**U.S. PATENT DOCUMENTS**

2,906,267 A \* 9/1959 Loudon ..... 281/34  
D333,161 S \* 2/1993 Hartnett ..... D19/26 X  
5,249,827 A \* 10/1993 Olson ..... 283/36

**1 Claim, 2 Drawing Sheets**



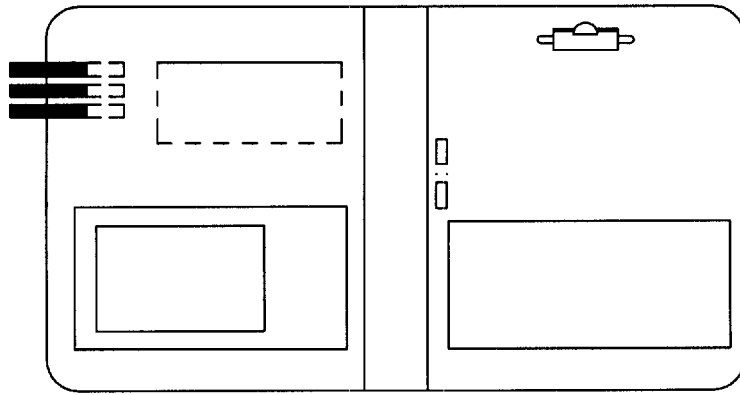


FIG. 1

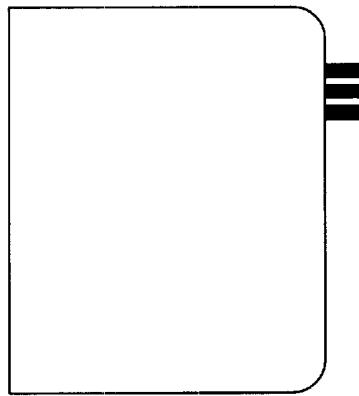


FIG. 2

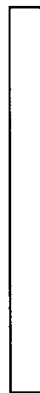


FIG. 3

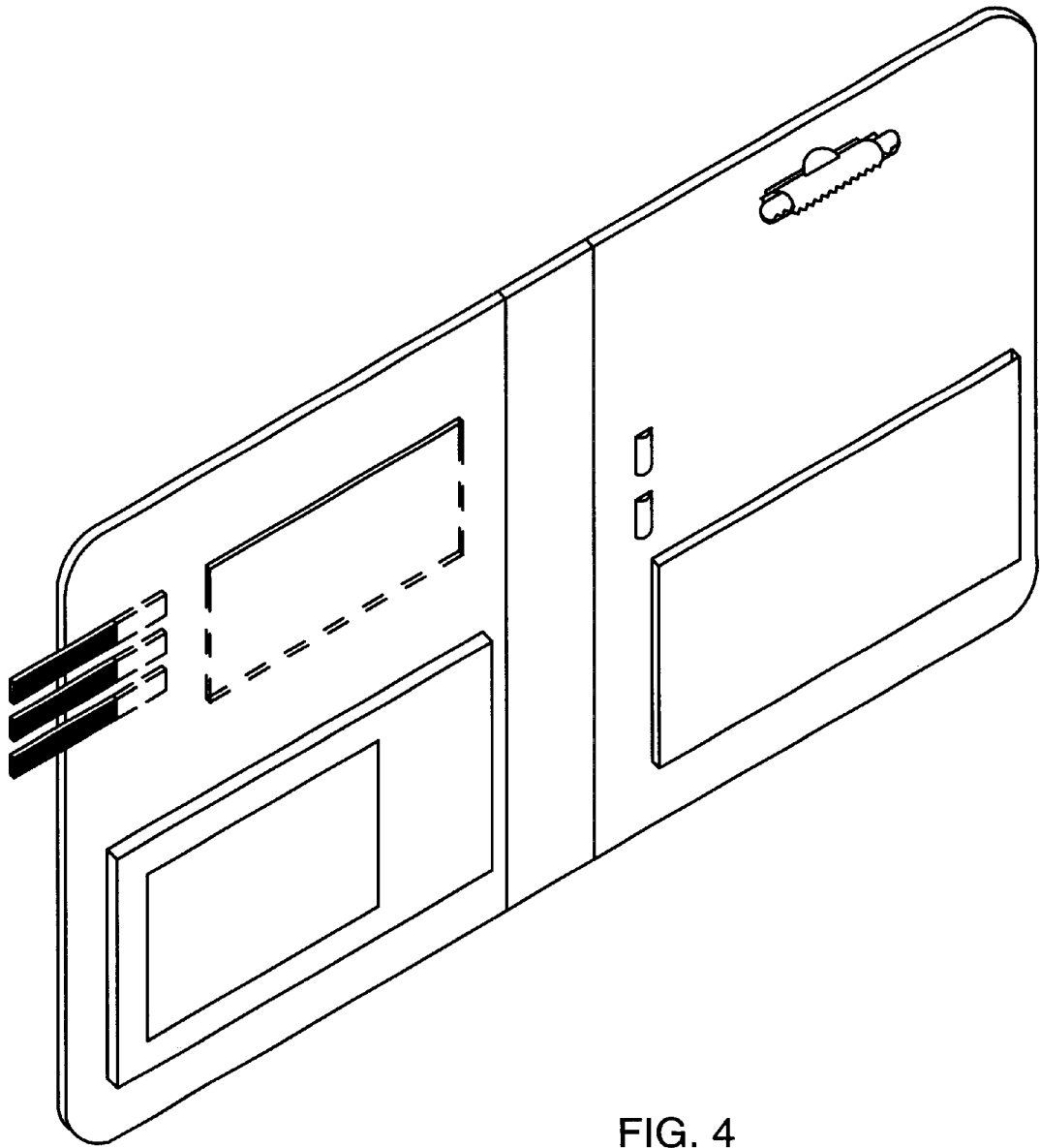


FIG. 4